

B-4050 MAXIMA

€ H.21



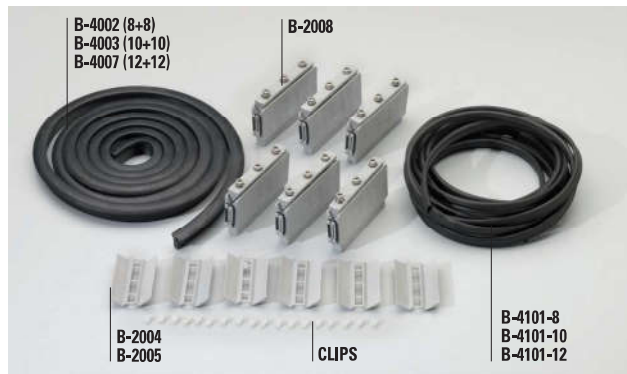
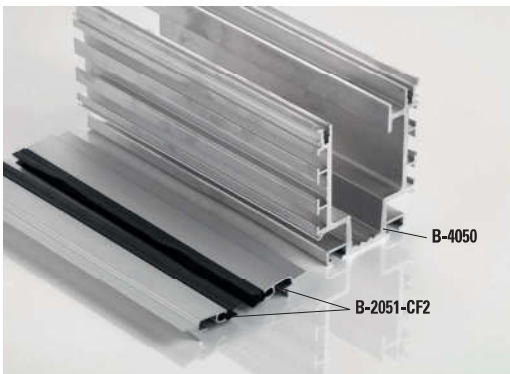
VIDEO

www.youtube.com/watch?v=ZTc3saTuVao

- Balaustra incassata nel pavimento, regolabile. Optional supporti LED.
- Adjustable railing system, recessed in the floor. Optional LED supports.
- Verstellbares Railing System im Boden versenkt. Optional LED Auflage.

INCASSATO

COMPONENTI / COMPONENTS / EINZELTEILE

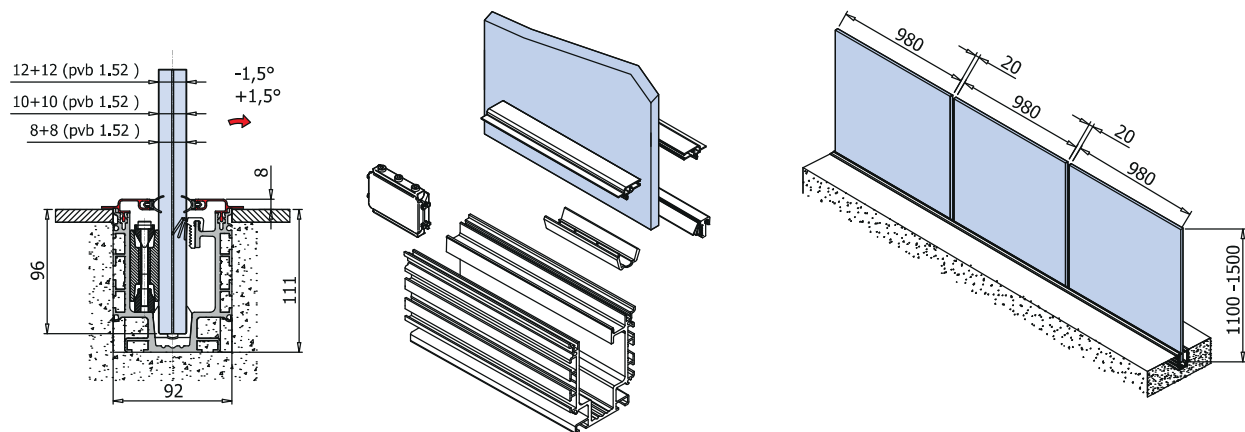


B-4050 / B-2051-CF2

- Profilo balaustra + 2 Velette
- Railing profile + 2 Cover profiles
- Profil für Geländer mit 2 Abdeckungen

B-SET MAX 8 (x 8+8) / B-SET MAX 10 (x 10+10) / B-SET MAX 12

- Set morsetti e guarnizioni
- Set clamps and gaskets
- Set Klemmen und Dichtungen



FB-041-P062

Set completo/mt L = 3000 mm Complete set/mt L = 3000 mm Komplett-Set L = 3000 mm	FIN. FIN. OB.	Vetro Glass Glas	Morsetti/mt Clamps/mt Klemmen/lfm	Testato spinta Test side force Getestete Seitenkraft	Classe Class IT Klasse	Testato Tested Bestätigte horizontale Nutzlast
B-4050 SET 1,5 KN 8	AN	8+8 1,52 pvb	2	150 kg	1	1 kN/m = 100 kg/m
B-4050 SET 3 KN 10	AN	10+10 1,52 pvb	2	300 kg	2	2 kN/m = 200 kg/m
B-4050 SET 4,5 KN 12	AN	12+12 1,52 pvb	4	450 kg	3	3 kN/m = 300 kg/m

SET COMPOSTO DA SET CONSISTING OF SET BESTEHEND AUS	FIN. FIN. OB.	B-4050 SET 1,5 KN 8	B-4050 SET 3 KN 10	B-4050 SET 4,5 KN 12
B-4050 + B-2051-CF2	AN	1 pz/pcs L = 3000 mm	1 pz/pcs L = 3000 mm	1 pz/pcs L = 3000 mm
B-SET-MAX 8	-	1	-	-
B-SET-MAX 10	-	-	1	-
B-SET-MAX 12	-	-	-	1