

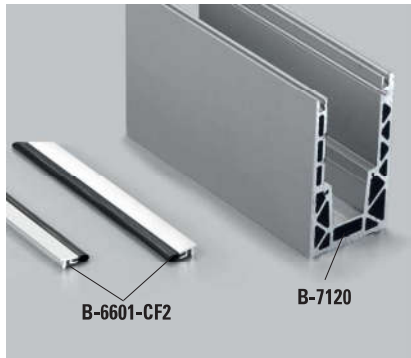
B-7120 SMARTONE / B-7220 SMARTONE A PEZZI / IN PIECES / IN TEILE



- Balaustra semiregolabile. Optional supporti LED.
- Adjustable railing system. Optional LED supports.
- Verstellbares Railing System. Optional LED Auflage.

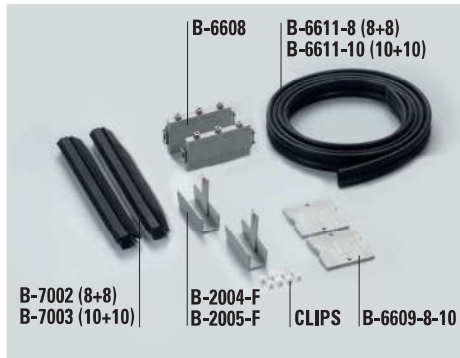
€▶ H.11
€▶ H.12

COMPONENTI / COMPONENTS / EINZELTEILE



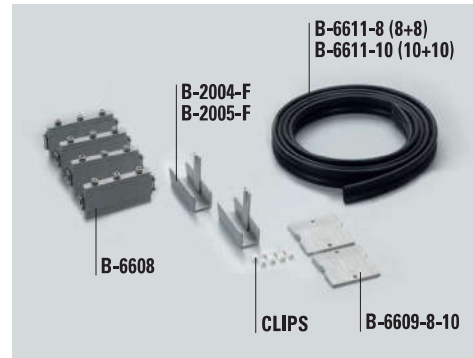
B-7120+B-6601-CF2

- Profilo balaustra + 2 Velette
- Railing profile + Cover profiles
- Profil für Geländer mit 2 Abdeckungen



B-SET-7120-8 / B-SET-7120-10

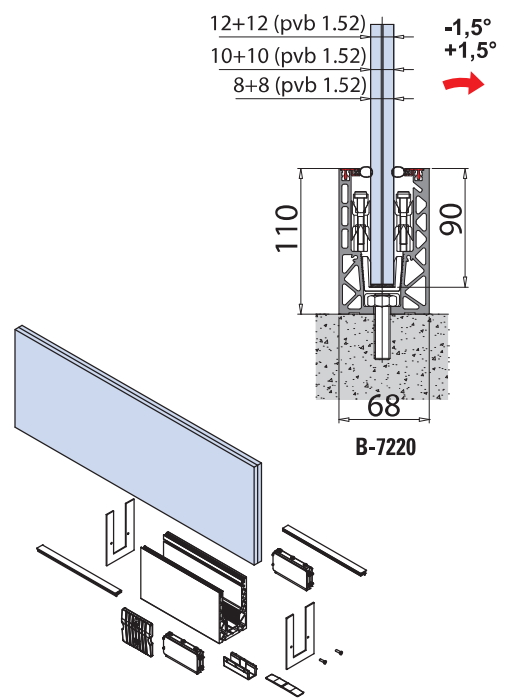
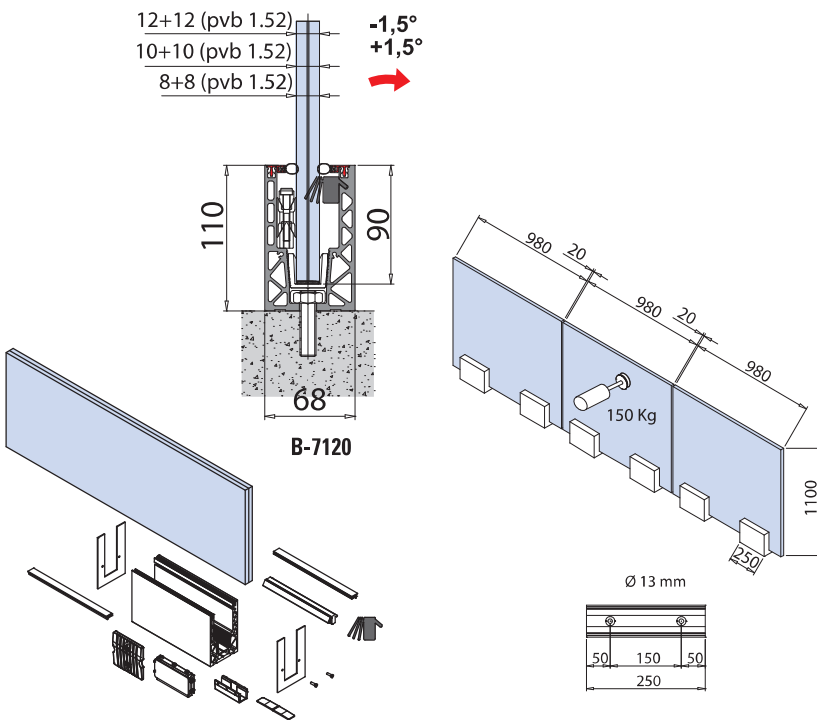
- Set morsetti e guarnizioni
- Set clamps and gaskets
- Set Klemmen und Dichtungen



B-SET-7220-8 / B-SET-7220-10

- Set morsetti e guarnizioni, doppia regolazione
- Set clamps and gaskets, double regulation
- Set Klemmen und Dichtungen, Doppelregulierung

PAVIMENTO
A PEZZI



FB041P148

Set completo/mt L = 250 mm (x 2 pcs) Complete set/mt L = 250 mm (x 2 pcs) Komplett-Set L = 250 mm (x 2 pcs)	FIN. FIN. OB.	L =	Vetro Glass Glas	Morsetti/mt Clamps/mt Klemmen/lfm	Testato spinta Test side force Getestete Seitenkraft	Classe Class IT Klasse	Testato Tested Bestätigte horizontale Nutzlast
B-7120 SET 1,5 KN 8	AN	250 mm	8+8 1,52 pvb	2	150 kg	1	1 kN/m = 100 kg/m
B-7120 SET 3 KN 10	AN	250 mm	10+10 1,52 pvb				
B-7220 SET 1,5 KN 8	AN	250 mm	8+8 1,52 pvb	4	150 kg	1	1 kN/m = 100 kg/m
B-7220 SET 3 KN 10	AN	250 mm	10+10 1,52 pvb				