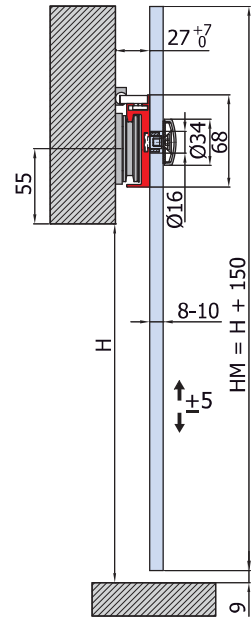
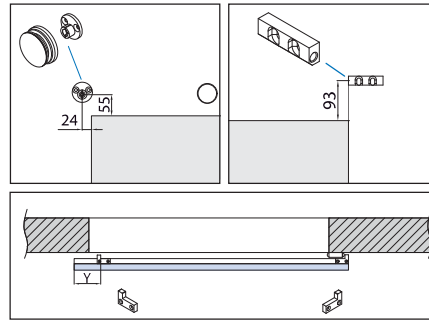
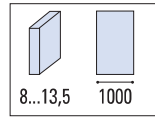




INDEPENDENT

V-8000



TECHNICAL

V-8000 SET 1

€▶A.333

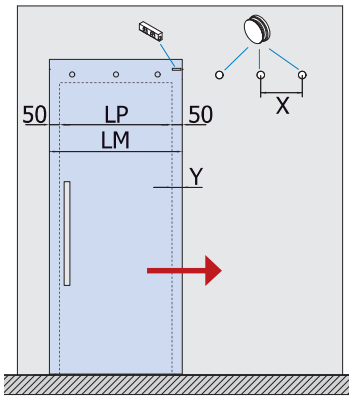
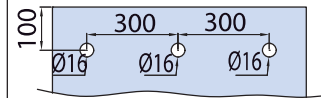
- Set per 1 ante scorrevole, fissaggio a parete
- Sliding door set, wall installation
- Schiebetürset 1-flügelig, Wandmontage

V-8000 SET 2

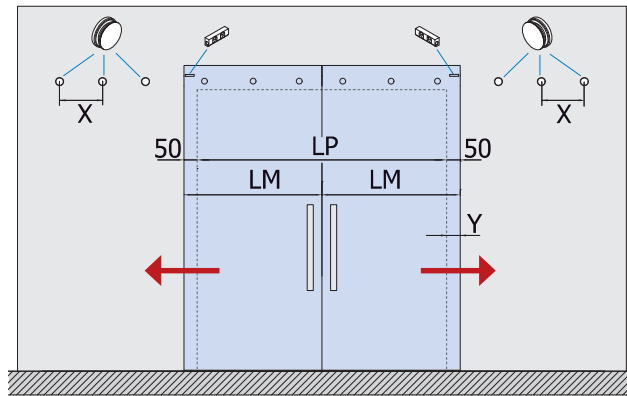
€▶A.334

- Set per 2 ante scorrevoli, fissaggio a parete
- Sliding doors set, wall installation
- Schiebetürset 2-flügelig, Wandmontage

LAVORAZIONE VETRO
GLASS PREPARATION
GLASBEARBEITUNG



$$LM = LP + 100$$



$$LM = (LP + 100) / 2$$

xme249a

COMPONENTI / COMPONENTS / EINZELTEILE ▶ 110

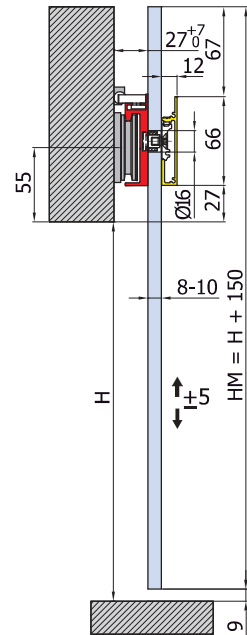
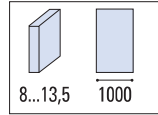


Cod.	Fin. / Fin. / Oberf.	V-8000 SET 1	V-8000 SET 2
V-8000 L=1000 L=1400	IXE	1	2
V-8001	NS / CR	1	2
V-8002	NS / CR	1	2
V-012	NS / CR	1	2
V-8005 L= >1100		1 extra x 140 mm	1 extra x 140 mm



INDEPENDENT

V-8100



V-8100 SET 1

€▶A.335

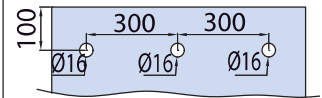
- Set per 1 anta scorrevole, fissaggio a parete
- Sliding door set, wall installation
- Schiebetürset 1-flügelig, Wandmontage

V-8100 SET 2

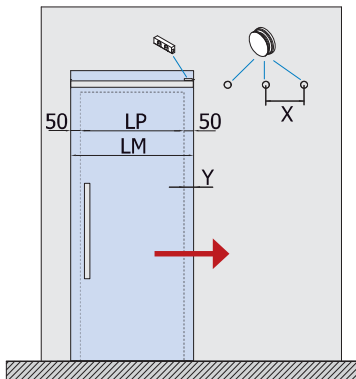
€▶A.336

- Set per 2 ante scorrevoli, fissaggio a parete
- Sliding doors set, wall installation
- Schiebetürset 2-flügelig, Wandmontage

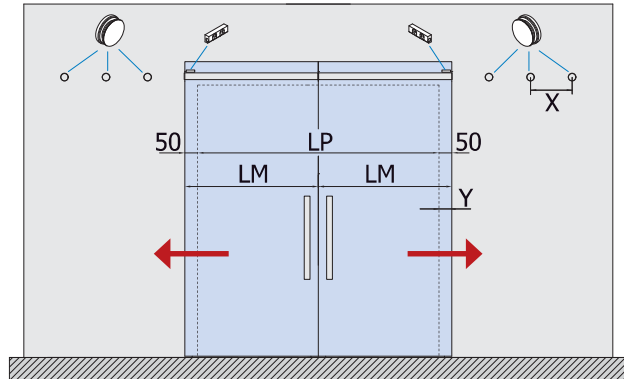
LAVORAZIONE VETRO
GLASS PREPARATION
GLASBEARBEITUNG



TECHNICAL



$$LM = LP + 100$$



$$LM = (LP + 100) / 2$$

xme249b

COMPONENTI / COMPONENTS / EINZELTEILE ▶ 110



V-8000



V-8100



V-8101



V-8002

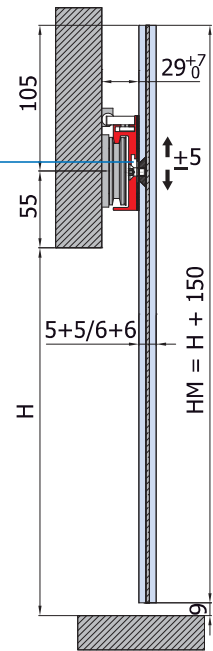
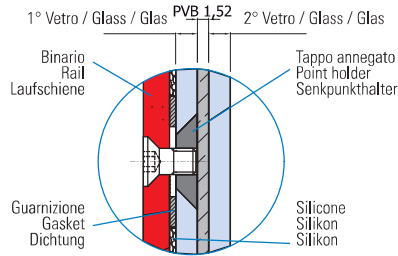
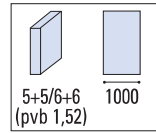


V-012

Cod.	Fin. / Fin. / Oberf.	V-8100 SET 1	V-8100 SET 2
V-8000 L=1000 L=1400	IXE	1	2
V-8100 L=1000 L=1400	IXE / CR	1	2
V-8101	IXE / CR	1	2
V-8002	NS / CR	1	2
V-012	NS / CR	1	2
V-8005 L = >1100		1 extra x 140 mm	1 extra x 140 mm

INDEPENDENT

V-8050



V-8050 SET 1

€▶A.337

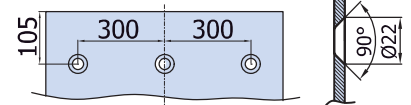
- Set per 1 anta scorrevole, fissaggio a parete
- Sliding door set, wall installation
- Schiebetürset 1-flügelig, Wandmontage

V-8050 SET 2

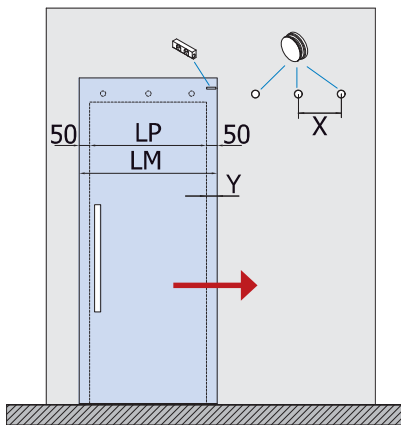
€▶A.338

- Set per 2 ante scorrevoli, fissaggio a parete
- Sliding doors set, wall installation
- Schiebetürset 2-flügelig, Wandmontage

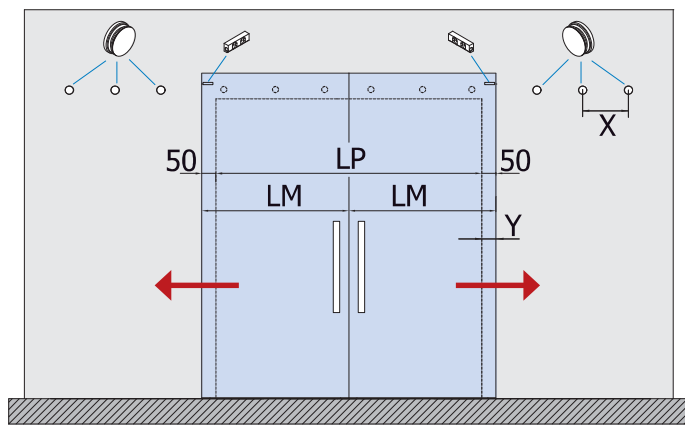
LAVORAZIONE VETRO GLASS PREPARATION GLASBEARBEITUNG



TECHNICAL



$$LM = LP + 100$$



$$LM = (LP + 100) / 2$$

xme249-E

COMPONENTI / COMPONENTS / EINZELTEILE ▶ 110



V-8000



V-8051



V-8002



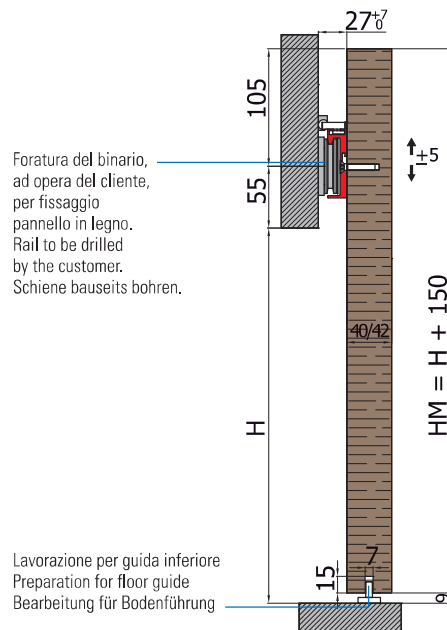
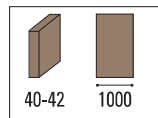
V-012

Cod.	Fin. / Fin. / Oberf.	V-8050 SET 1	V-8050 SET 2
V-8000 L=1000 L=1400	IXE	1	2
V-8002	NS / CR	1	2
V-8051	-	1	2
V-012	NS / CR	1	2
V-8005 L= >1100		1 extra x 140 mm	1 extra x 140 mm



INDEPENDENT PER PORTA IN LEGNO FOR WOODEN DOORS FÜR HOLZTÜREN

V-8040



V-8040 SET 1

€▶A.339

- Set per 1 anta scorrevole, fissaggio a parete
- Sliding door set, wall installation
- Schiebetürset 1-flügelig, Wandmontage

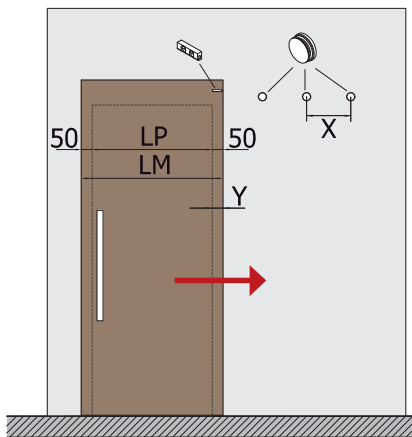
V-8040 SET 2

€▶A.340

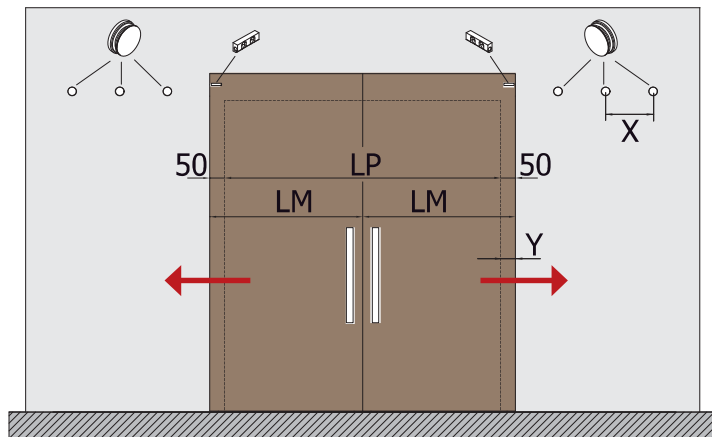
- Set per 2 ante scorrevoli, fissaggio a parete
- Sliding doors set, wall installation
- Schiebetürset 2-flügelig, Wandmontage



TECHNICAL



$$LM = LP + 100$$



$$LM = (LP + 100) / 2$$

xme249d

COMPONENTI / COMPONENTS / EINZELTEILE ▶ 110



V-8000



V-8002



PF-08

Cod.	Fin. / Fin. / Oberf.	V-8040 SET 1	V-8040 SET 2
V-8000 L=1000 L=1400	IXE	1	2
V-8002	NS / CR	1	2
PF-08	-	1	2
V-8005 L=>1100		1 extra x 140 mm	1 extra x 140 mm

V-8000 / V-8100 / V-8050 / V-8040 INDEPENDENT

COMPONENTI / COMPONENTS / EINZELTEILE



V-8000 €▶A.341

- Binario Independent
- Independent track profile
- Laufschiene Independent



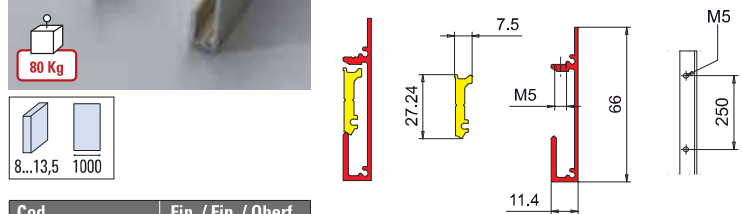
Cod.	Fin. / Fin. / Oberf.
V-8000-1000 mm	IXE
V-8000-1400 mm	IXE

xfb-064



V-8100 €▶A.342

- Veletta per binario Independent
- Cover profile for Independent track profile
- Profilabdeckung für Laufschiene Independent



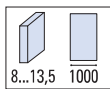
Cod.	Fin. / Fin. / Oberf.
V-8100-1000 mm	IXE / CR
V-8100-1400 mm	IXE / CR

xfb-064



V-8005 €▶A.343

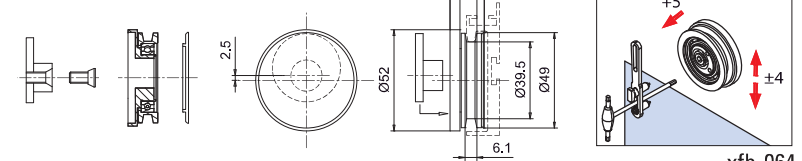
- Set 7 pz ruote di scorrimento e stopper per 1 anta
- Set 7 pcs rollers and stopper for 1 panel
- Set 7 Stk Laufrollen und Stopper für 1 Flügel



V-8005

- Ruota di scorrimento
- Roller
- Laufrolle

IX - CR

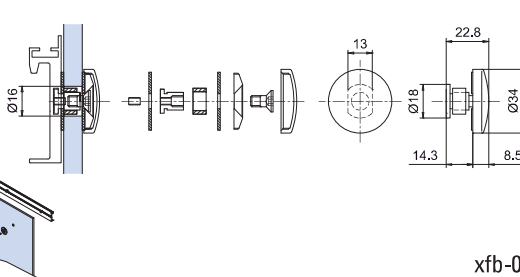
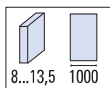


xfb-064



V-8001 €▶A.344

- Set 3 pz punti di fissaggio per 1 anta per sistema V-8000
- Set 3 pcs fixing points for 1 panel for system V-8000
- Set 3 Stk Punkthalterungen für 1 Flügel für System V-8000

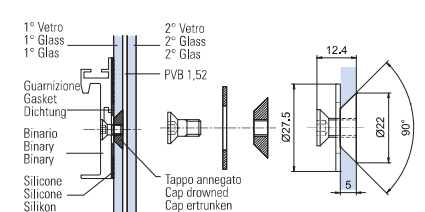
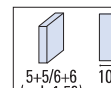


xfb-064



V-8051 €▶A.346

- Set 3 pz punti di fissaggio per 1 anta per sistema V-8050
- Set 3 pcs fixing points for 1 panel for system V-8050
- Set 3 Stk Punkthalterungen für 1 Flügel für System V-8050

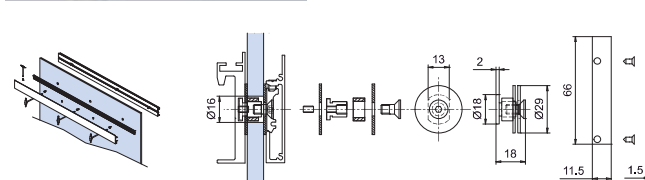


xfb-064



V-8101 €▶A.345

- Set 3 pz punti di fissaggio per 1 anta e tappi laterali per veletta V-8100
- Set 3 pcs fixing points for 1 panel and endcaps for cover profile V-8100
- Set 3 Stk Punkthalterungen für 1 Flügel und Endkappen für Abdeckung V-8100

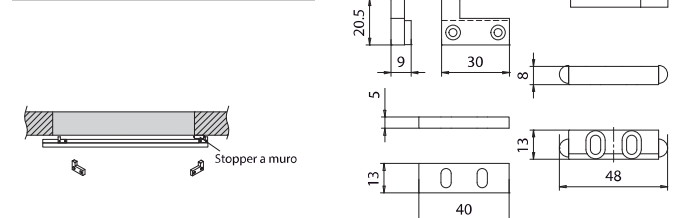


xfb-064



V-8006 €▶A.349

- Stopper per 1 anta
- Stopper for 1 panel
- Stopper für 1 Flügel



xfb-064

TECHNICAL