

INVISIBLE (OPTIONAL SOFT-CLOSE)

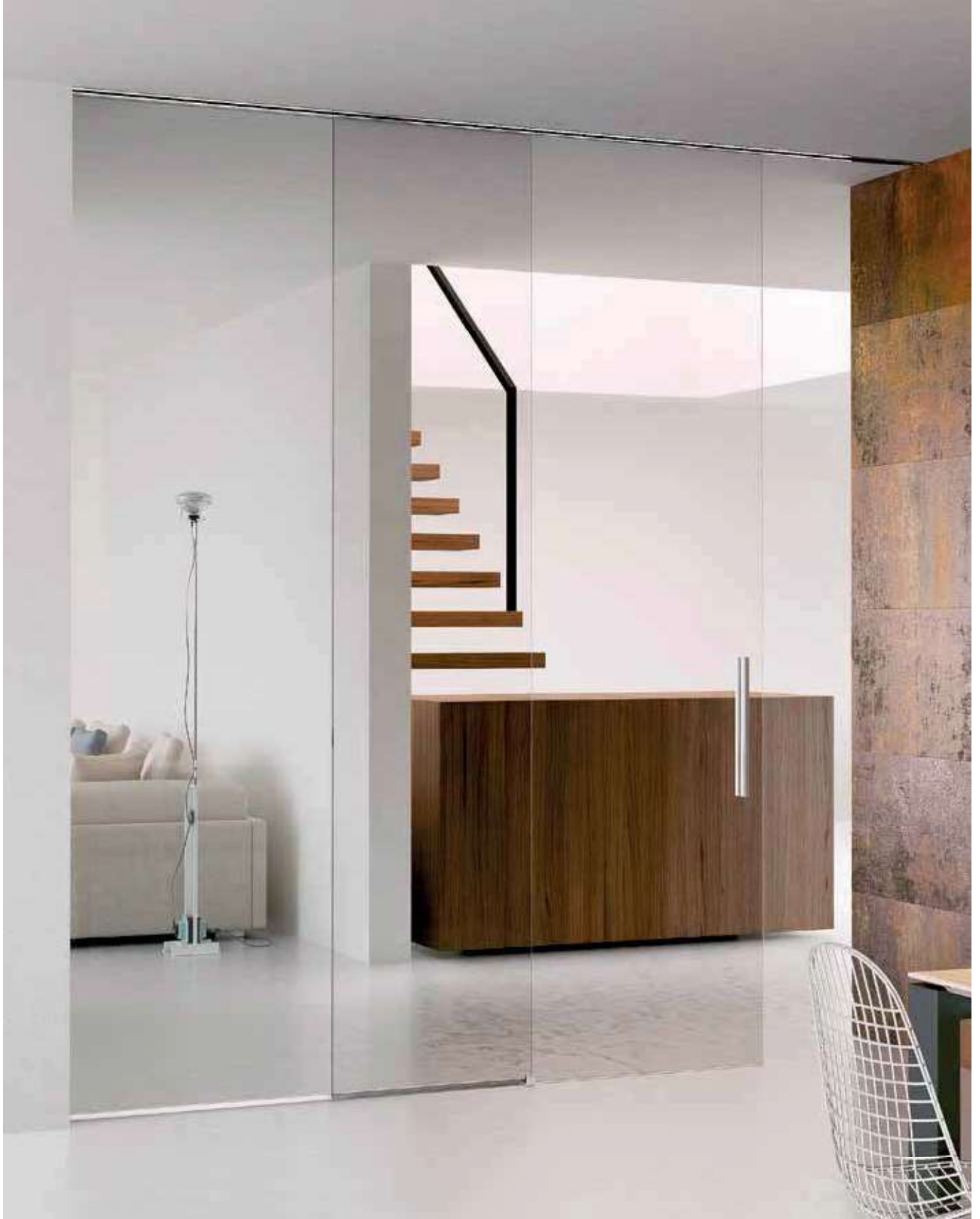
BINARI INVISIBILI / INVISIBLE TRACK PROFILES / UNSICHTBARE LAUFSCHIENEN



V-7603



8-10	8,76/10,76/12 12,76/13,52 con/with/mit V-9607	500 min 1000 max



INVISIBILE

COMPONENTI / COMPONENTS / EINZELTEILE ▶ 130

V-7603

V-7602

V-5606-70 70 Kg | **V-5606-80** 80 Kg
V-5606-100 100 Kg | **V-5606-120** 120 Kg

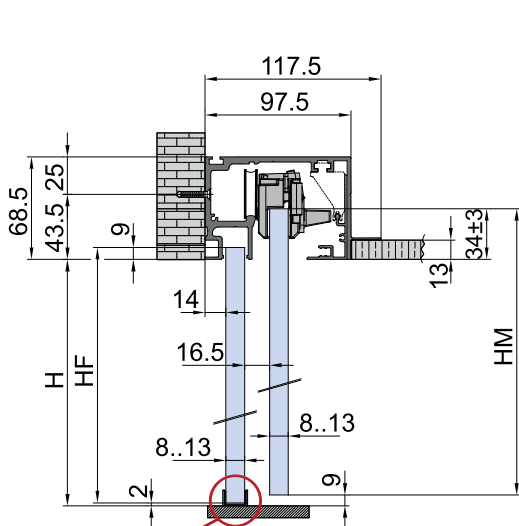
V-012-INS

- Regolazione dal basso
- Adjustment from below
- Einstellung von unten


OPTIONAL

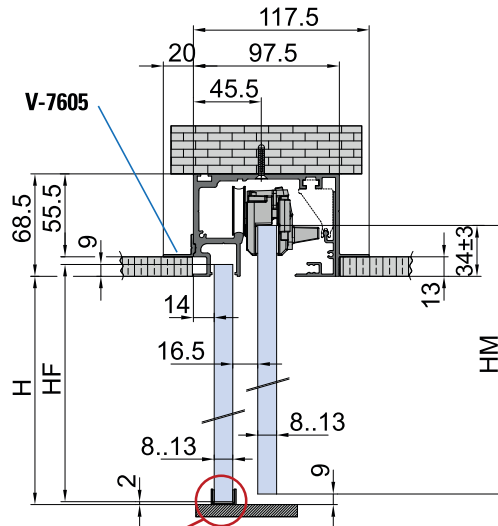
OPTIONAL	
VP-019-MT	VP-018-MT
1000 mm - 2000 mm - 3000 mm	
<ul style="list-style-type: none"> • Guarnizioni per sede vetro fisso • Gaskets for fixed glass • Dichtungen für Seitenteil 	

INVISIBLE


 NON INCLUSO
 NOT INCLUDED
 NICHT ENTHALTEN

$$HM = H + 25$$

$$HF = H + 7$$


 NON INCLUSO
 NOT INCLUDED
 NICHT ENTHALTEN

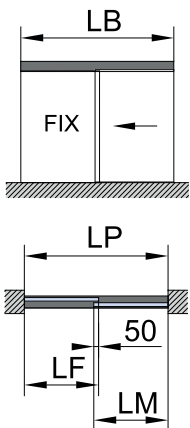
$$HM = H + 25$$

$$HF = H + 7$$

V-7603 SET 1

- Set per 1 anta scorrevole e vetro fisso, fissaggio a parete/soffitto
- Sliding door set with fixed panel, wall/ceiling installation
- Schiebetürset 1-flügelig mit Seitenteil, Wand-Deckenmontage

▶ S.102



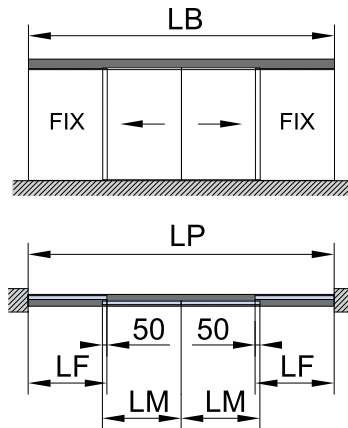
$$LB = LP \times 2 + 150$$

$$LM = LP + 100$$

V-7603 SET 2

- Set per 2 ante scorrevole e vetri fissi, fissaggio a parete/soffitto
- Sliding doors set with fixed panels, wall/ceiling installation
- Schiebetürset 2-flügelig mit Seitenteile, Wand-Deckenmontage

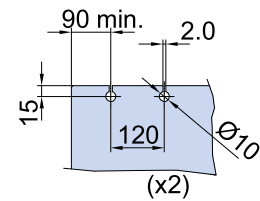
▶ S.103



$$LB = LP \times 2 + 100$$

$$LM = (LP + 100) / 2$$

- Fori vetro sicurezza **optional**
- Security glass holes **optional**
- Sicherheitsbohrungen **optional**



xme576g

Componenti / Components / Einzelteile ▶ 130	Fin. / Fin. / Oberf.	V-7603 SET 1	V-7603 SET 2
V-7603 L=2000 L=3000 L=4000 L=6000	AN	1	1
V-7605 L=2000 L=3000 L=4000 L=6000 (OPTIONAL)	GR	(1)	(1)
V-7602	-	1	2
V-5606-70 Kg / V-5606-80 Kg / V-5606-100 Kg / V-5606-120 Kg (OPTIONAL)	-	(1)	(2)
V-012-INS	AN	1	2