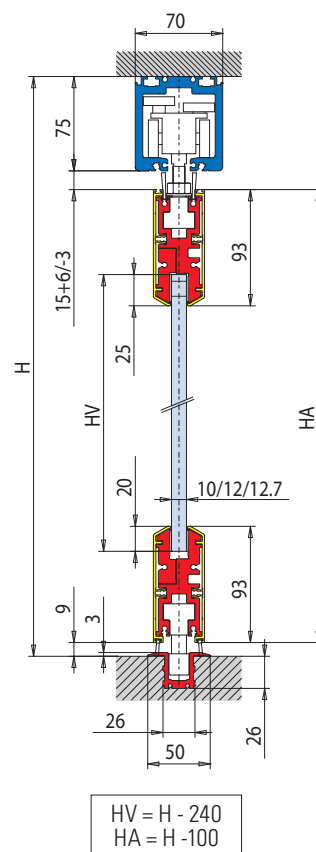


PA-450 LIBRO FOLDING do-it-yourself

SCORREVOLI A LIBRO / SLIDING FOLDING SYSTEMS / FALT-SCHIEBEWANDSYSTEME



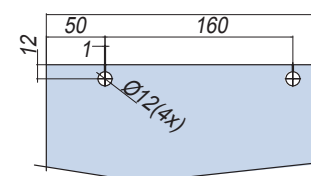
- Sistema scorrevole modulare a libro con morsetti fermavetro (mm 250) e veletta continua (mm 1200) da tagliare secondo necessità a cura del cliente.
- Sliding folding door system with glass fixing clamps (mm 250) and continuous covers (mm 1200) to be cut on the basis of client's requirements.
- Modulares Schiebesystem mit Glashalteklammern (250 mm) und kontinuierlicher Verkleidung (1200 mm), kundenspezifisch ablängbar.

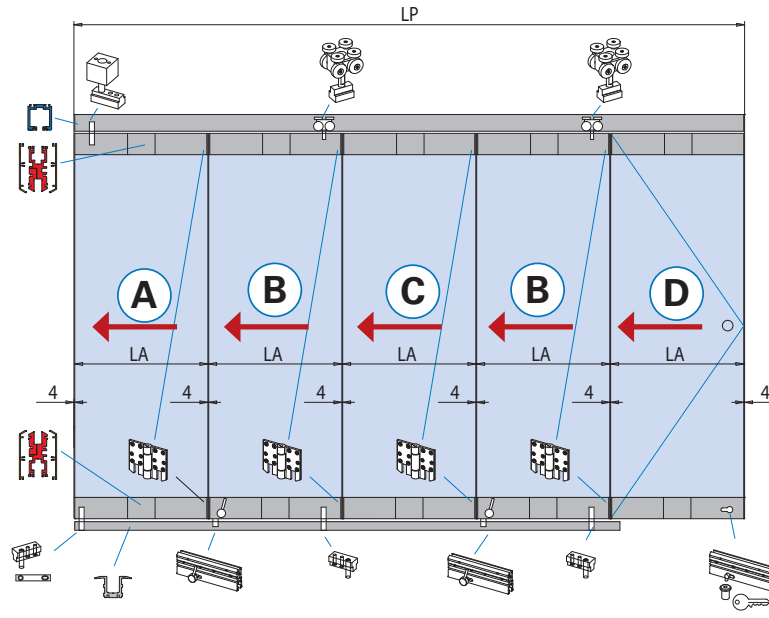
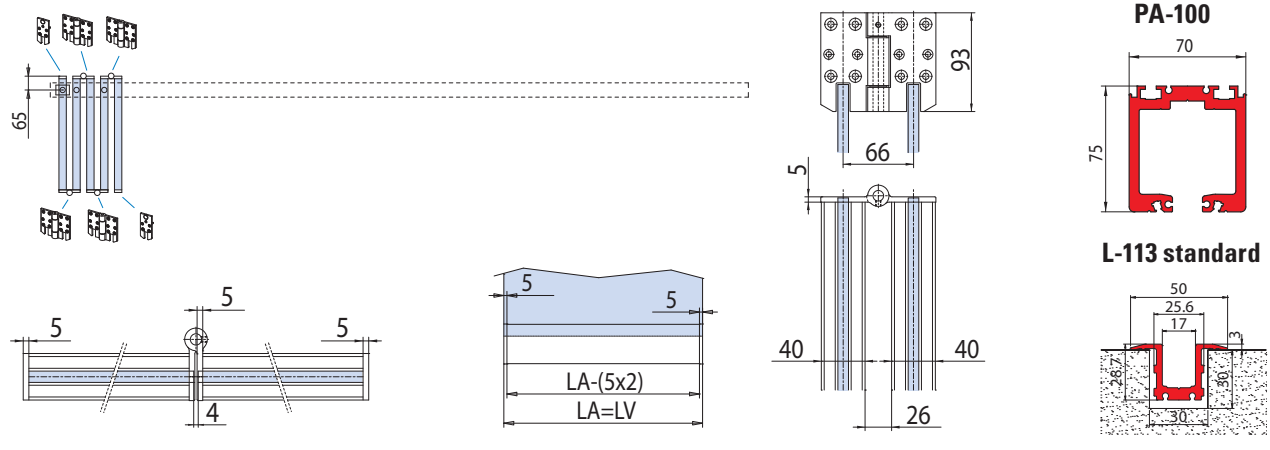
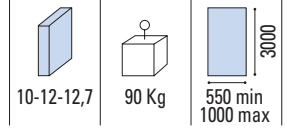
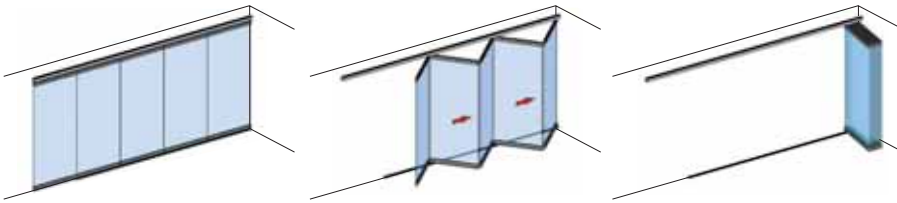


SCORREVOLI A LIBRO
SLIDING FOLDING SYSTEMS



LAVORAZIONE VETRO x 2
GLASS PREPARATION x 2
GLASBEARBEITUNG x 2





Calcolo vetro
Calculation glass
Glasberechnung

$A_t = 4 \times (N + 1)$
 $X = LP - A_t$
 $LA = LV = X / N$

- (A)**
- Prima anta a libro
 - First folding panel
 - Erstes Faltelement

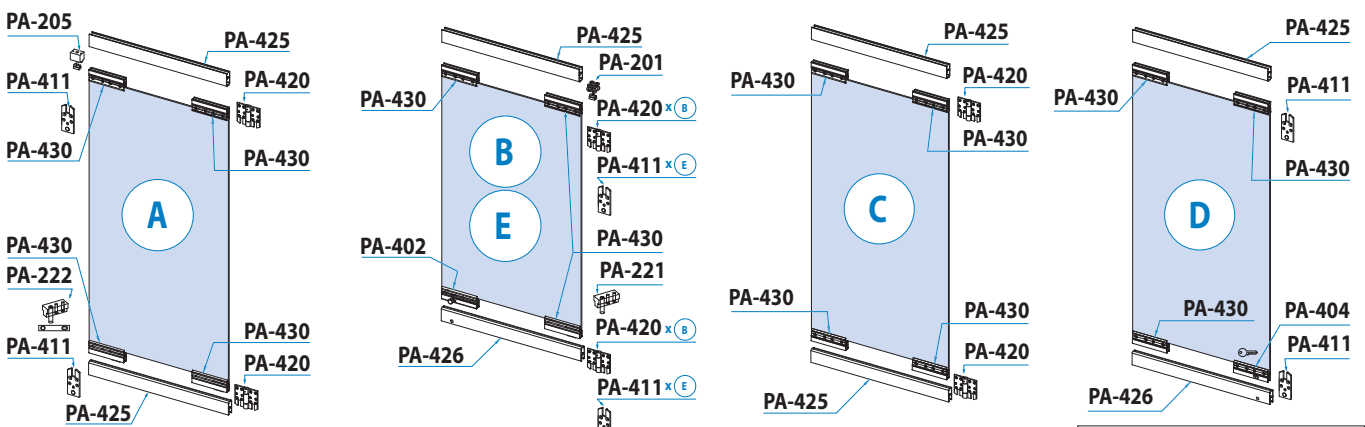
- (B) (C)**
- Anta intermedia a libro
 - Intermediate folding panel
 - Mittiges Faltelement

- (D)**
- Ultima anta porta battente con numero ante dispari
 - Last hinged door with odd no. panels
 - Letzter Dreh-Flügel bei ungerader Flügelanzahl

- (E)**
- Ultima anta con N° ante pari
 - Last panel with even no. panels
 - Letzter Flügel bei gerader Flügelanzahl

	PA-450 SET 2 (A E)
	PA-450 SET 3 (A B D)
	PA-450 SET 4 (A B C E)
	PA-450 SET 5 (A B C B D)
	PA-450 SET 6 (A B C B C E)
	PA-450 SET 7 (A B C B C B D)

SCORREVOLI A LIBRO
SLIDING FOLDING SYSTEMS



- (B)**
- Anta intermedia con catenacciolo
 - Intermediate panel with latch
 - Zwischenflügel mit Riegel
- (E)**
- Ultima anta con N° ante pari
 - Last panel with even no. panels
 - Letzter Flügel bei gerader Flügelanzahl

- (D)**
- Ultima anta a porta battente con n° ante dispari
 - Last hinged door with odd no. panels
 - Letzter Drehflügel bei ungerader Flügelanzahl

xla334-0 / xla334g / xla334c

AN	At	N	LP	LA = LV	H	HV	HA
Alluminio anodizzato Aluminium anodized Aluminium Silberfarbig	Arie totali Total clearances Summe alle Abstände Glas/Wand	Numero ante Numbers panels Anzahl der Elemente	Passaggio luce Clear opening width Lichte Durchgangsbreite	Larghezza ante = Larghezza vetro Panel width = Glass width Flügelbreite = Glasbreite	Altezza passaggio luce Clear opening height Lichte durchgangshöhe	Altezza vetro Glass height Glashöhe	Altezza anta Door height Tür Höhe