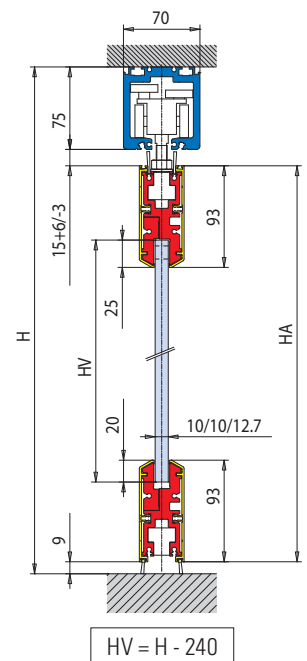


PA-460 CENTER FOLDING do-it-yourself

SCORREVOLI A SOFFIETTO / SLIDING CENTER FOLDING / FALT-SCHIEBEWANDSYSTEME



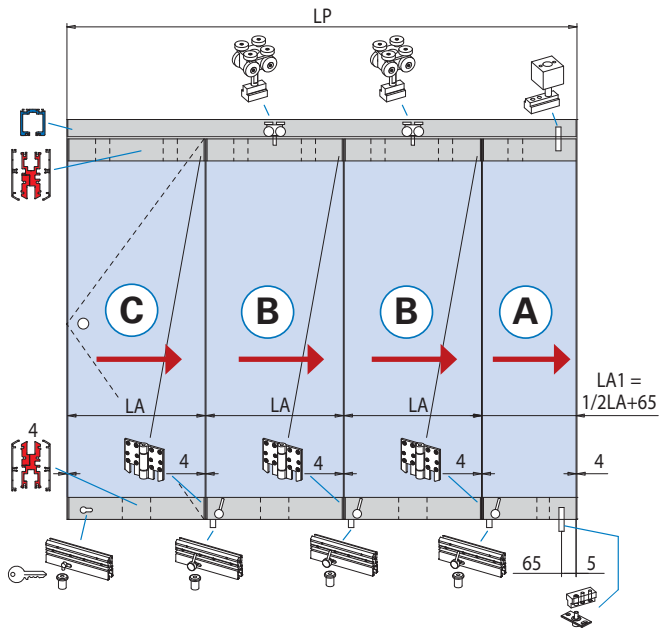
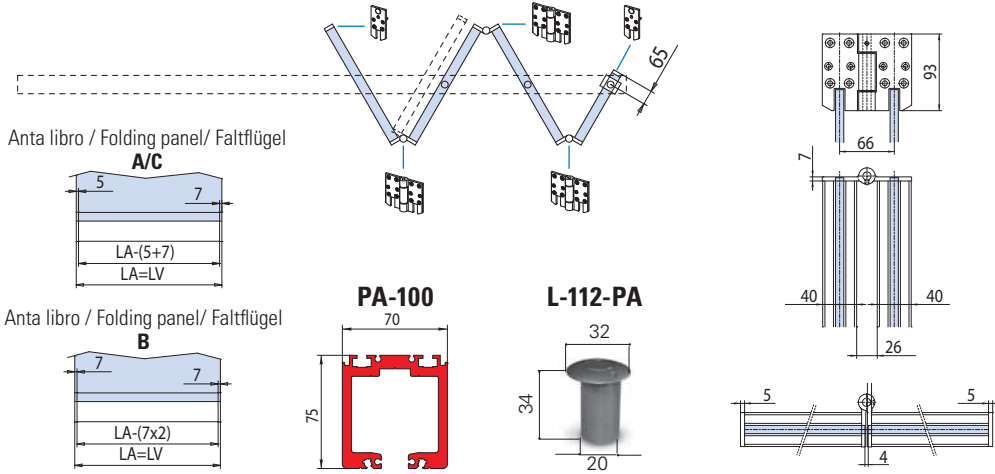
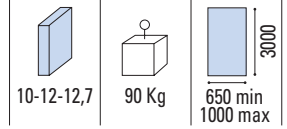
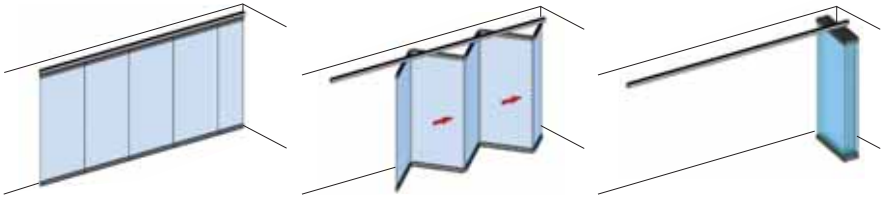
- Sistema modulare a soffietto con impacchettamento centrale completo di morsetti fermavetro (mm 250), veletta continua (mm 1200) da tagliare secondo necessità a cura del cliente, binario standard h=75 mm x L=70 mm e carrello con 8 ruote.
- Folding door system with center fold with glass fixing clamps (mm 250) and continuous covers (mm 1200) to be cut on the basis of client's requirements, and including standard rail standard h=75 mm x L=70 mm and carriage with 8 wheels.
- Faltschiebewandssystem mit mittlerer Faltung, Glashalteklappen(250 mm), kontinuierlicher Verkleidung (1200 mm) kundenspezifisch ablängbar, Standardlaufschiene h=75 mm x L=70 mm und Laufwagen mit 8 Rädern.



SCORREVOLI A SOFFIETTO
SLIDING CENTER SYSTEMS

	PA-460 SET 2 (A)(B)(C)
	PA-460 SET 3 (A)(B)(B)(C)
	PA-460 SET 4 (A)(B)(B)(B)(C)
	PA-460 SET 5 (A)(B)(B)(B)(B)(C)



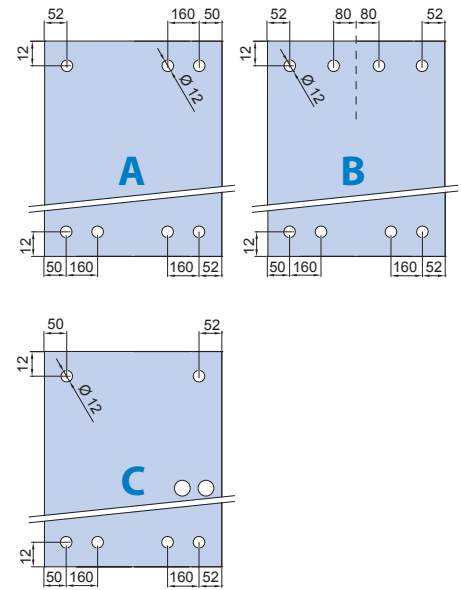


- Calcolo vetro
- Calculation glass
- Glasberechnung

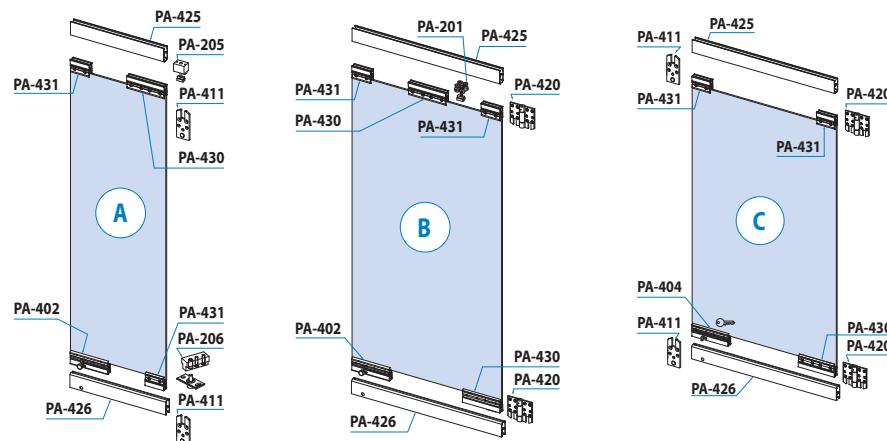
At = 4 x (N + 1)
 X = Lp - At
 LA = LV = (X - 65) / (N - 0,5)
 LA1 = LV1 = 1/2LA + 65

- A**
- Prima anta a libro
 - First folding panel
 - Erstes Faltelement
- B**
- Anta intermedia a libro
 - Intermediate folding panel
 - Mittiges Faltelement
- C**
- Ultima anta a libro
 - Last folding panel
 - Letzter Flügel

LAVORAZIONE VETRO
 GLASS PREPARATION
 GLASBEARBEITUNG



SCORREVOLI A SOFFIETTO
 SLIDING CENTER SYSTEMS



- C**
- Ultima anta a porta battente
 - Last folding swing door
 - Letzter Flügel als Dreh-Falt-Flügel

xla334-1 / xla334h / xla334e

AN	At	N	LP	LA = LV	H	HV	HA
Alluminio anodizzato	Arie totali	Numero ante	Passaggio luce	Larghezza ante = Larghezza vetro	Altezza passaggio luce	Altezza vetro	Altezza anta
Aluminium anodized	Total clearances	Numbers panels	Clear opening width	Panel width = Glass width	Clear opening height	Clear opening height	Door height
Aluminium Silberfarbig	Summe alle Abstände Glas/Wand	Anzahl der Elemente	Lichte Durchgangsbreite	Flügelbreite = Glasbreite	Lichte durchgangshöhe	Glashöhe	Tür Höhe