

# BOX DOCCIA SEPARÉ

SHOWERS AREA SEPARÉ  
 DUSCHTRENNWAND SEPARÉ



## SEPARÉ

► 178



- BARRE DI SUPPORTO QUADRE REGOLABILI
- ADJUSTABLE SQUARE SUPPORT BARS
- VERSTELLBARE ECKIGE STABILISATIONSSTANGEN

► 180



- BARRE DI SUPPORTO QUADRE
- SQUARE SUPPORT BARS
- ECKIGE STABILISATIONSSTANGEN

► 184

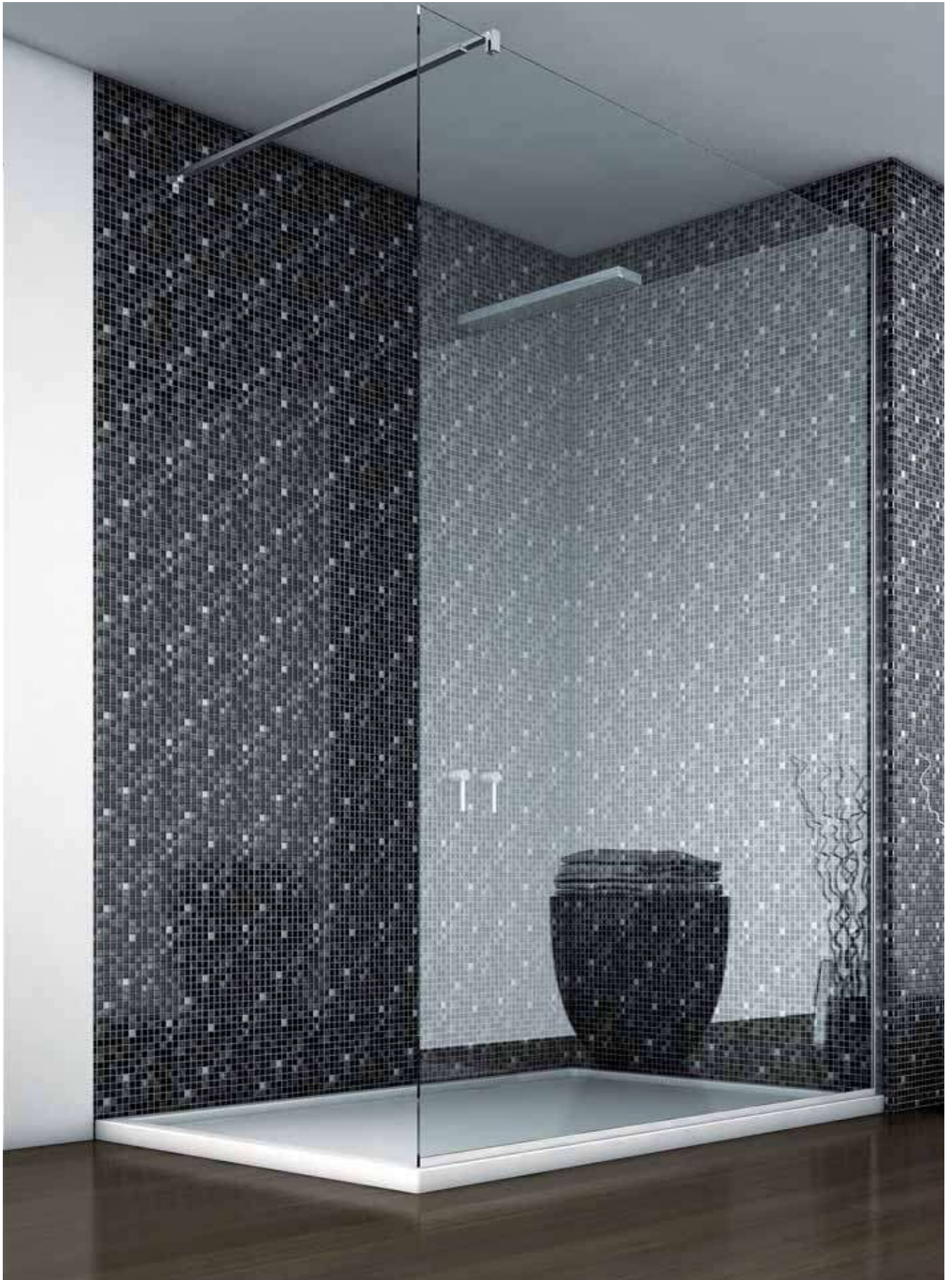


- BARRE DI SUPPORTO TONDE
- ROUND SUPPORT BARS
- RUNDE STABILISATIONSSTANGEN

► 185

## SEPARÉ

BOX DOCCIA SEPARÉ / SHOWERS AREA SEPARÉ / DUSCHTRENNWAND SEPARÉ



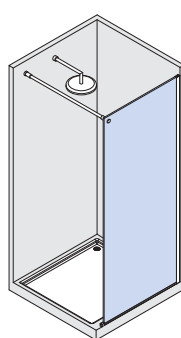
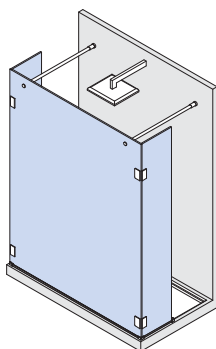
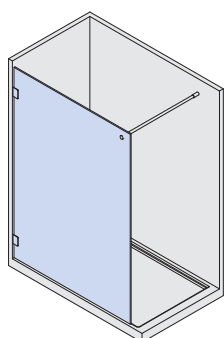
SEPARÉ



- Sistema per docce aperte tutto vetro senza porte.
- Walk-in systems for open shower areas without doors.
- Walk-in Systeme für offene Duschen ohne Türen.



- Alcune tipologie di applicazione
- Some application typologies
- Einigen kompositionsmöglichkeiten des system

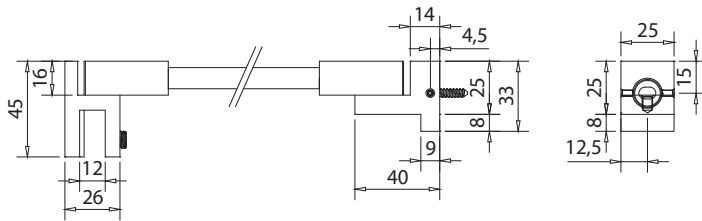


## BARRE DI SUPPORTO QUADRE SNODATE SQUARE SQUARE SUPPORT BARS / ECKIGE STABILISATIONSTANGEN



### B-328

- Barra di supporto snodata Square riducibile a piacere muro/vetro.
- Square adjustable support bar wall/glass, it is possible to cut the bar to adjust its size.
- Eckige Stabilisationsstange Wand/Glas, beliebig Kürzbar.



ART.	Lunghezza (A) Length (A) Länge (A)	Finitura Finish Oberflächen		
		CR	NS	NO
<b>B-328-500</b>	500 mm	CR	NS	NO
<b>B-328-1000</b>	1000 mm	CR	NS	NO OR
<b>B-328-1500</b>	1500 mm		IL	NO OR



### B-328-F

- Barra di supporto snodata a muro con attacco fisso a vetro B-324.
- Square support bar with adjustable wall connector and fixed glass connector B-324.
- Eckige Stabilisationsstange Wandanschluss vestellbar, Glasanschluss fest B-324.

ART.	Lunghezza (A) Length (A) Länge (A)	Finitura Finish Oberflächen		
		CR	NS	NO
<b>B-328-F-500</b>	500 mm	CR	NS	NO
<b>B-328-F-1000</b>	1000 mm	CR	NS	NO
<b>B-328-F-1500</b>	1500 mm		IL	NO

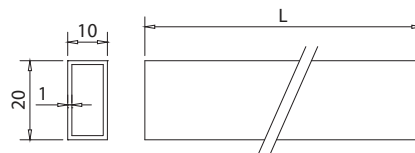
C-272-A

## COMPONENTI / COMPONENTS / EINZELTEILE



### B-318

- Barra centrale Square riducibile a piacere.
- Square centre bar possible to cut to adjust its size.
- Eckige Stange beliebig Kürzbar.



ART.	Lunghezza (A) Length (A) Länge (A)	Finitura Finish Oberflächen		
		CR	NS	NO
<b>B-318-500</b>	500 mm	CR	NS	NO
<b>B-318-1000</b>	1000 mm	CR	NS	NO OR
<b>B-318-1500</b>	1500 mm		IL	NO OR

**CR**  
Cromo lucido  
Polished chrome  
Chrom glänzend

**NS**  
Nickel satinato  
Satin nickel  
Ähnlich Edelstahl matt

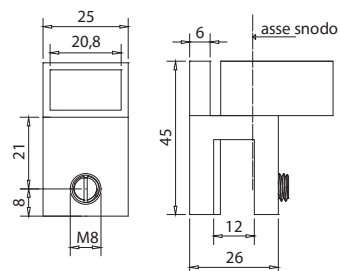
**IL**  
Acciaio inox lucido  
Polished stainless steel  
Edelstahl poliert

**NO**  
Nero opaco  
Matt black  
Schwarz matt

**OR**  
Oro opaco  
Matt gold  
Gold matt


**B-320**

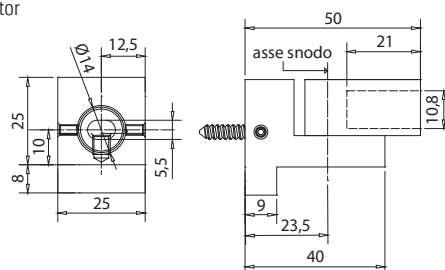
- Attacco a vetro snodato per barra di supporto quadra.
  - Adjustable glass connector for square support bar.
  - Eckige Stabilisationsstange Glasanschluss verstellbar.
- CR - NS - NO - OR



C-272-C


**B-319**

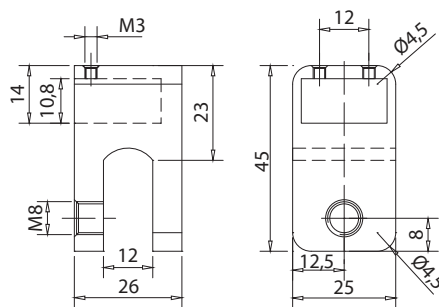
- Attacco a muro snodato per barra di supporto quadra.
  - Adjustable wall connector for square support bar.
  - Eckige Stabilisationsstange Wandanschluss verstellbar.
- CR - NS - NO - OR



C-272-B


**B-324**

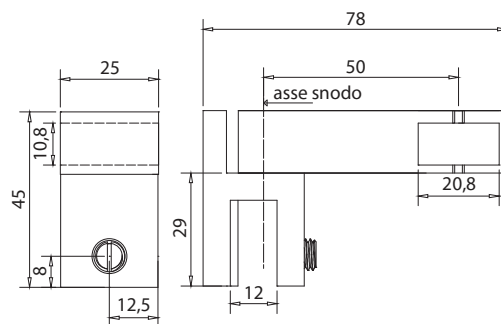
- Attacco a vetro chiuso.
  - Glass connector for square support bar.
  - Eckige Stabilisationsstange Glasanschluss.
- CR - NS - NO



C-272-D


**B-325**

- Supporto centrale snodato per vetro fisso laterale.
  - Adjustable T-connector side glass to support bar.
  - Verstellbares T-Stück für Glas/Stange.
- CR - NS - NO - OR



C-272-F

**CR**  
Cromo lucido  
Polished chrome  
Chrom glänzend

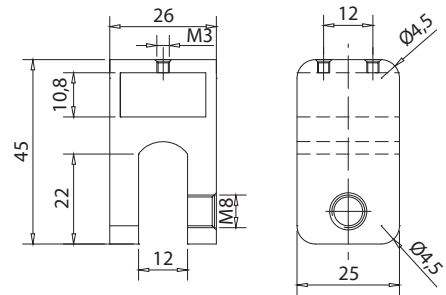
**NS**  
Nickel satinato  
Satin nickel  
Ähnlich Edelstahl matt



**B-322**

- Attacco a vetro in linea passante.
- Glass connector in-line for passage support bar.
- Glasanschluss in Linie für Stabilisationsstange durchgehend.

CR - NS



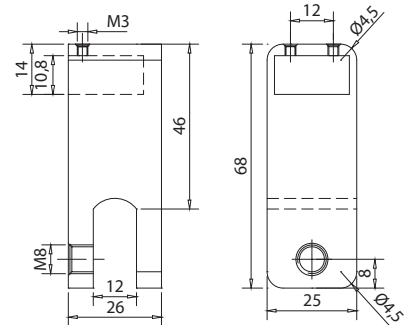
C-272-E



**B-323**

- Attacco a vetro chiuso per barra di supporto quadra.
- Glass connector for square support bar.
- Eckige Stabilisationsstange Glasanschluss.

CR - NS



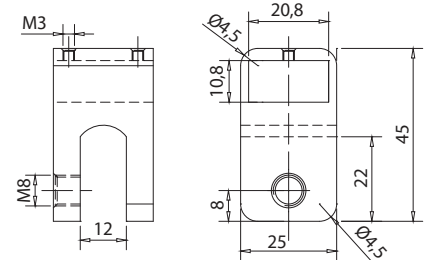
C-272-D



**B-321**

- Attacco a vetro 90° passante.
- Glass connector 90° for passage support bar.
- Glasanschluss 90° für Stabilisationsstange durchgehend.

CR - NS



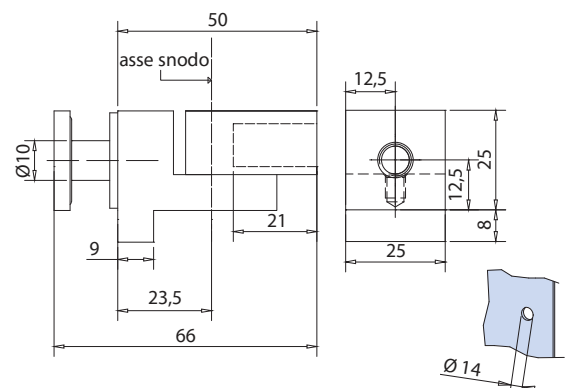
C-272-D



**B-326**

- Attacco snodato montaggio a vetro.
- Adjustable connector for glass installation.
- Verstellbarer Anschluss für Glasmontage.

CR - NS



C-272-G

SEPARÉ

**CR**  
Cromo lucido  
Polished chrome  
Chrom glänzend

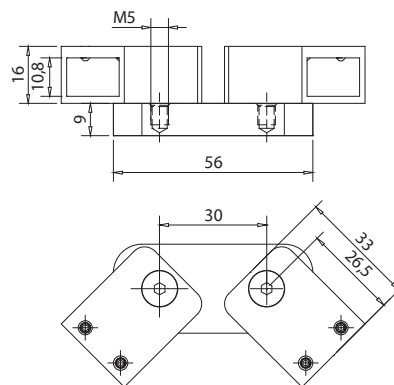
**NS**  
Nickel satinato  
Satin nickel  
Ähnlich Edelstahl matt

**NO**  
Nero opaco  
Matt black  
Schwarz matt

**OR**  
Oro opaco  
Matt gold  
Gold matt


**B-327**

- Attacco snodato doppio.
  - 2-Ways adjustable connector.
  - Verstellbarer Anschluss 2-Wege
- CR - NS



C-272-H

