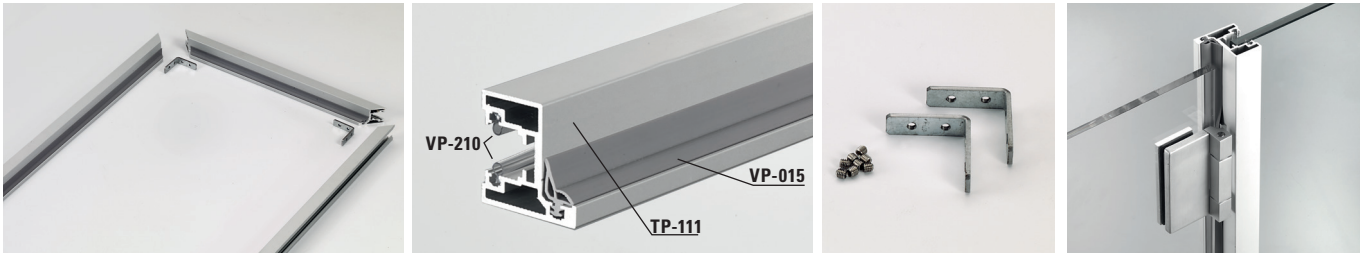


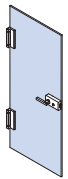
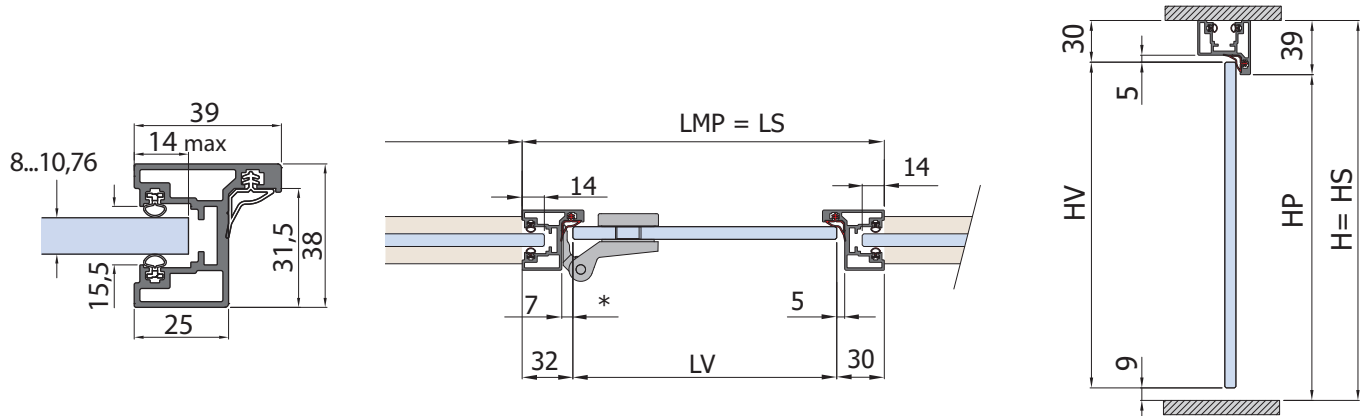
# TP-110



TP-110

TP-111-FIX

P-115-CF2



V-409 V-509 V-709 V-809 V-909 V-729

V-701 V-704

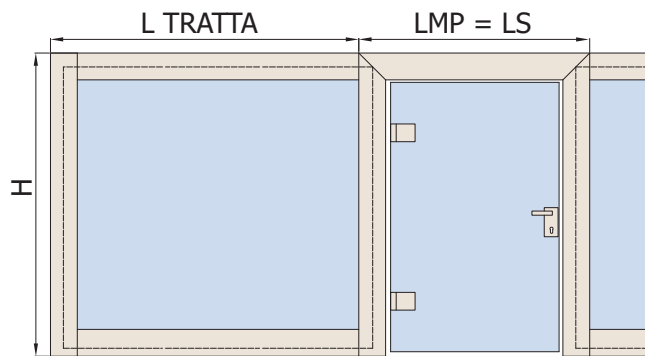
$$LV = LS - (32^* + 30)$$

$$HV = H - 39$$

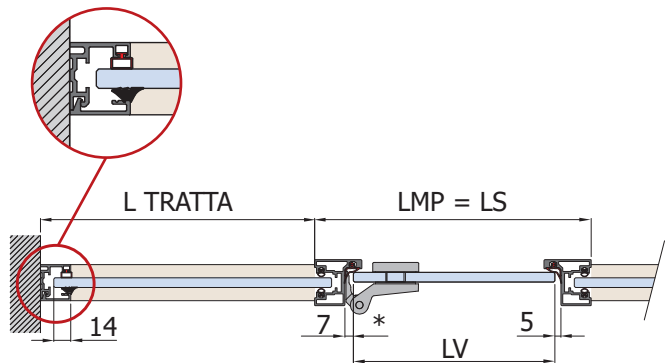
$$LV = LS - (33^* + 30)$$

$$HV = H - 39$$

Anta tutto vetro / Frameless panel / Ganzglas Tür



P-038



Anta intelaiata non disponibile / Framed panel not available / Gerahmte Tür nicht verfügbar